

MIXERS WITH SWITCHABLE INPUTS

- Two Discrete Input Channels.
- Standard Ground Closure To Activate Each Input.
- Linkable To Accomodate Larger System Requirements
- Separate Switches To Assign Input To Card Out, and Link Out.

INTEGRA III SYSTEM



Model 702-LL Shown

www.protechaudio.com

The Protech Audio Model 702 group of switching mixers, are designed for use by audio professionals. Each unit is carefully designed and constructed to provide highly reliable, quiet switching of audio signals, to an on-board output, and a link output. The unit may be used to control paging systems, provide signal routing in broadcast facilities, or sound system configuration in live venues.

Each Model 702 unit is configured as a two input switched mixer card. Different input combinations (mic or line) are available as outlined in the architect's and engineer's specifications portion of this engineering data sheet.

The 702 cards are linkable, allowing larger systems to be configured. By applying ground to the individual channel control pins, each input channel may be assigned to the on-board output, or the link out. The on-board output is balanced, transformer-isolated. The output is designed to drive 600-15K ohm loads.

The link output for each input channel has a separate switch from the on-board output switch. This feature allows the input channel signal to be assigned to the link output, or the on-board output, separately.

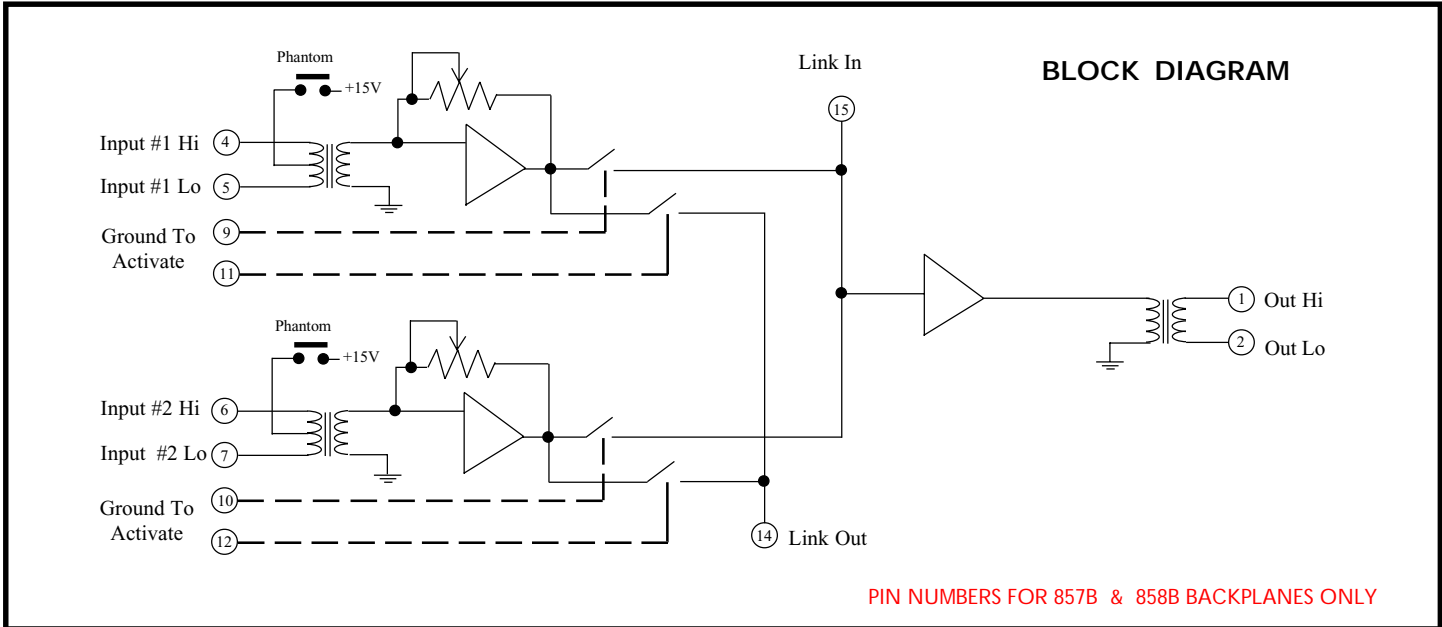
The gain of each input channel is adjustable, via on-board, or backplane mounted trimpots. For backplane mounted trimpots, simply add the suffix "BP" to the part number (see back page of this sheet for additional part number information).

As one of the INTEGRA III SYSTEM modules, the Model 702 Mixer cards may be mounted in any of the system enclosures manufactured by Protech Audio. The Model 858B Card Frame Package will allow up to 9 plug-in cards plus a plug-in power supply. The Model 857B allows mounting of up to 10 cards, and requires an external power supply (Model 66708).

For additional information, or applications assistance, contact:

SALES-ENGINEERING

MIXER WITH SWITCHABLE INPUTS



SPECIFICATIONS

GAIN.....	LINE INPUT = ± 15 dB
	MIC INPUT = 55dB
MAXIMUM INPUT	LINE INPUT = +18dBv
MAXIMUM OUTPUT	MIC INPUT = -5dBv
DISTORTION.....	<0.2%, 20Hz To 20KHz
FREQUENCY RESPONSE.....	± 0.125 dB, 20Hz To 20 KHz
THD + NOISE.....	MIC INPUTS = -70dB Below + 4dBm
	LINE INPUTS = -86 Below +4dBm
POWER REQUIREMENTS.....	± 15 -18VDC @ 35ma
SIZE.....	8" x 2.5" x 1.1"
OPERATING TEMPERATURE.....	0-70 Degrees C

SPECIFICATIONS SUBJECT TO CHANGE WITHOUT NOTICE.

ARCHITECT'S & ENGINEER'S SPECIFICATIONS

The linkable mixer shall be constructed as a plug-in printed circuit board module. It shall be designed to allow up to 10 modules to fit in a rack mount card frame requiring no more than 3.5 inches of vertical rack space. The mixer shall be unpluggable from the front of the card frame, without the need to disconnect wires attached to the rear connector.

Each linkable mixer shall contain 2 discrete inputs, transformer isolated, and one line level output, transformer isolated. Shorting either input, or the output shall not damage the circuitry.

The linkable mixer shall contain individual switch closures to select which inputs appear at the output of the card and link connection. The individual switch closures are to be controlled via an external remote ground closure.

The linkable mixer shall be PROTECH AUDIO Corp. -
 Model 702-LL = Two Line Inputs
 Model 702-ML = One Mic, One Line Input
 Model 702-MM = Two Mic Inputs

Add "BP" to part number for backplane mounted trimpots (702-LL-BP)

ACCESSORIES

RACK MOUNT CARD FRAME PACKAGE.....MODEL 858B
 Includes Model 561 Card frame, Model 858B Backplane Assembly, and Power Supply Card. For use with up to 9 audio cards.

RACK MOUNT CARD FRAME PACKAGE.....MODEL 857B
 Includes Model 561 Card Frame, and Model 857B Backplane Assembly. For use with up to 10 audio modules and external power supply Model 66708.

Protech Audio Corporation
 PO Box 597, 192 Cedar River Road
 Indian Lake, New York 12842
 Voice 518-648-6410 Fax 518-648-6395
 Web - www.protechaudio.com

AUTHORIZED DEALER