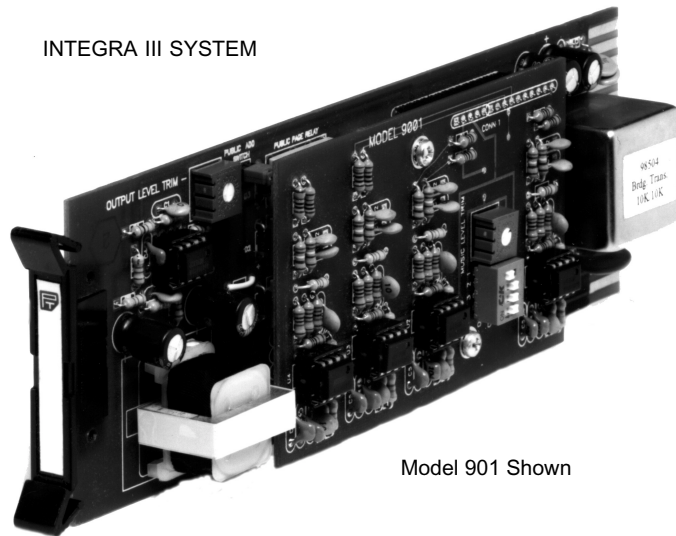


# MODEL 901

# MODULAR MATRIX SWITCHER

- 3 Paging Inputs
- Telephone Interface Input
- 4 Selectable Music Inputs.
- Priority By-Pass Relay
- Adjustable Line Output
- Balanced In & Out.



Model 901 Shown

[www.protechaudio.com](http://www.protechaudio.com)

The Model 901 Modular Matrix Mixing Card is designed for use in professional audio applications. Each unit features four (4) selectable music inputs, three (3) paging inputs, one (1) line level output, and a switch closure circuit for control of priority bypass relays.

Typical applications are public address systems in buildings such as airports, factories, hospitals, courthouses, casinos, convention centers, libraries, hotels, racetracks, and office buildings.

The mechanical construction of the Model 901 allows mounting of up to ten (10) units in a standard Model 857B Card Frame Package. Each Model 901 card unplugs from the front of the card frame, without the need for removing any wires from the rear of the card frame. Spare units may be placed into service in a matter of minutes.

Each Model 901 has three user adjustable features, in addition to the actual wiring hierarchy. There are two level adjustments, one for the page output level, and one for the music output level. There is one four position DIP switch for selecting any of four music input channels, or no music input at all.

The Model 901 Modular Matrix Mixing Card is built using two separate printed circuit board assemblies. The two boards are connected together using a high quality, gold-plated 15 pin connector. The main printed circuit board contains all audio input and output connection points, the page output level adjustment, and all relay control circuitry. The smaller printed circuit board is piggy-backed to the main printed circuit board, and contains all background music channel circuitry, including the channel selector switch and the background music level adjusting trimpot.

The DC power supply connections on the Model 901 are protected by self-resetting electronic fuses. If a card should malfunction, the electronic fuses will disconnect the card from the power supply. The same type of fusing is provided in the priority bypass relay control circuit.

Other INTEGRA III SYSTEM cards, such as distribution amplifiers or compressors, may be used in the same card frame assembly, to allow construction of complete audio systems.

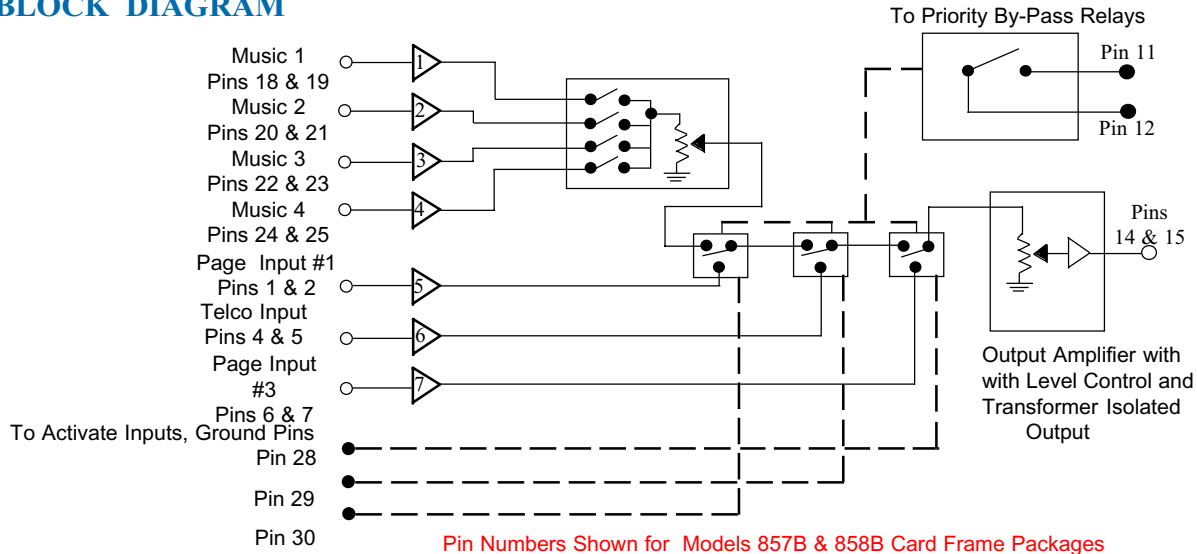
MODULAR MATRIX SWITCHING CARD

**PROTECH**®

Engineering Data

1/02

**BLOCK DIAGRAM**



**SPECIFICATIONS**

GAIN.....	0-20dBdB, Adjustable
INPUT IMPEDANCE.....	Inputs 1 & 3 = 20K Differential Input 2 = 10K Transformer Isolated
MAXIMUM INPUT.....	+18dB
MAXIMUM OUTPUT.....	+20dBm
FREQUENCY RESPONSE.....	30Hz To 20KHz, +0, -1dB
DISTORTION.....	0.1% Maximum @ +14dBm
NOISE.....	-85dB Below +4dBm Out
POWER REQUIREMENTS.....	+15-18VDC @ 25ma
SIZE.....	2.5"H x 8.0"D x 1.1"W
OPERATING TEMPERATURE.....	0 To 70 Degrees C

SPECIFICATIONS SUBJECT TO CHANGE WITHOUT NOTICE.

**ARCHITECT'S & ENGINEER'S SPECIFICATIONS**

The modular matrix mixer shall be constructed as a plug-in printed circuit board module. It shall be designed to allow up to 10 modules to fit in a rack mount card frame, requiring no more than 3.5" of vertical rack space. The modular matrix mixer shall be unpluggable from the front of the card frame, without the need to disconnect wires attached to the rear connector. The modular matrix mixer shall have 2 differential page inputs, one transformer isolated telephone interface page input, and four differential music inputs. The differential music input channel to be used shall be selectable via an on-board dip switch. The music level shall be adjustable via an on-board trimpot, and shall be independent of the output amplifier level adjustment.

The page inputs shall have 3 levels of priority. Each page input shall override the music input. Activation of each page input shall be by ground closure only. The output of the modular matrix mixer shall be transformer isolated, and capable of driving a 600 ohm or higher load. The output level of the modular matrix mixer shall be adjustable by a trimpot mounted on the main PC assembly. The modular matrix mixer shall have an on-board by-pass activation relay (BPAR), capable of switching by-pass relays on remote attenuators. The BPAR shall activate with all page inputs. The BPAR circuit shall be fused with an auto-resetting electronic fuse. The modular matrix mixer shall be Protech Audio Corp. Model 901

**ACCESSORIES**

CARD FRAME PACKAGE.....Model 858B  
Includes Card Frame, Backplane, and Plug-In Power Supply Card.  
Allows mounting of up to 9 audio cards.

CARD FRAME PACKAGE.....Model 857B  
Includes Card Frame and Backplane Assembly. For use with external power supply Model 66708. Allows mounting of up to 10 audio cards.

**Protech Audio Corporation**  
PO Box 597, 192 Cedar River Road  
Indian Lake, New York 12842  
Voice 518-648-6410 Fax 518-648-6395  
Web - www.protechaudio.com

**AUTHORIZED DEALER**