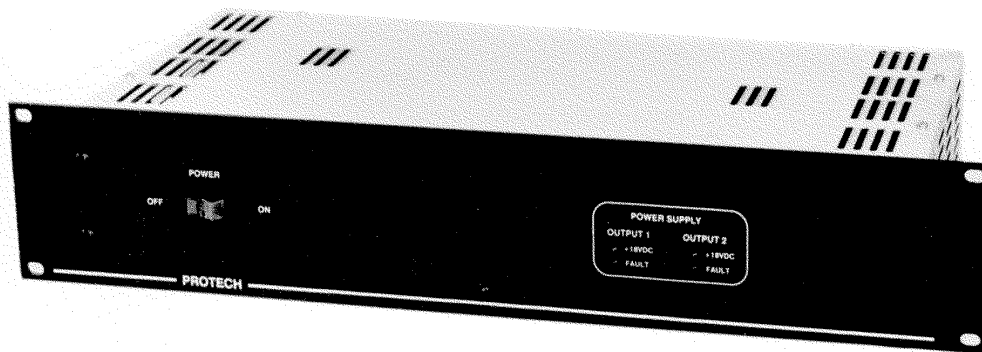


MODEL 66708

DUAL POWER SUPPLY

www.protechaudio.com



- Dual 18 Volt Outputs
- LED Status Indicators for DC Outputs
- Local or Remote Sensing
- Toriod Power Transformer for Lower AC Fields
- Foldback Protected Outputs

The Protech Audio Model 66708 Dual Power Supply is designed for use with the INTEGRA III SYSTEM. Both the Model 66708 and the INTEGRA III SYSTEM are designed for use in professional applications requiring highly reliable, constant duty rated equipment.

All of the audio modules designed for the INTEGRA III SYSTEM require +15-18VDC or \pm 15-18VDC. The Model 66708 is designed to furnish these voltage requirements. The unit has two identical DC outputs. Each output is capable of delivering up to 4 amperes of current.

To use the Model 66708 as a single power source, one of the outputs is connected to the load, observing proper polarity.

To use the unit as a bipolar power source, the + volt side of output #2 is connected to the -volt side of output #1. This configuration creates a positive voltage output, and a negative voltage output, with respect to the two pins that have been jumpered together.

Each output has provision for local or remote sensing of the output voltage. As shipped from the factory, the 66708 is strapped for local sensing.

If the power supply leads will be longer than 10 feet, the jumpers should be removed, and wire leads attached from the sensing terminals to the load. This will allow the power supply to regulate the DC voltage at the load, instead of at the output terminals.

The AC portion of the Model 66708 is protected by a slow-blow fuse. The DC portion is protected by a foldback circuit. If either the AC current or the DC current start to exceed the stated rating, the power supply will protect itself, until the cause of the overload is corrected. The front panel of the unit incorporates LED indicators for normal operation, and fault conditions on each of the two outputs. The On/Off switch incorporates a neon indicator to monitor the AC power to the unit.

The 66708 is designed for mounting in a standard 19 inch EIA rack. While the AC transformer used in the 66708 is a toroid, to minimize AC fields, it is recommended that the unit not be mounted in proximity with equipment receiving or sending very low level audio signals (microphone level, nominal -50dB). Usually mounting the unit in the bottom of the rack will eliminate this possibility.

For additional information or applications assistance contact:

SALES ENGINEERING

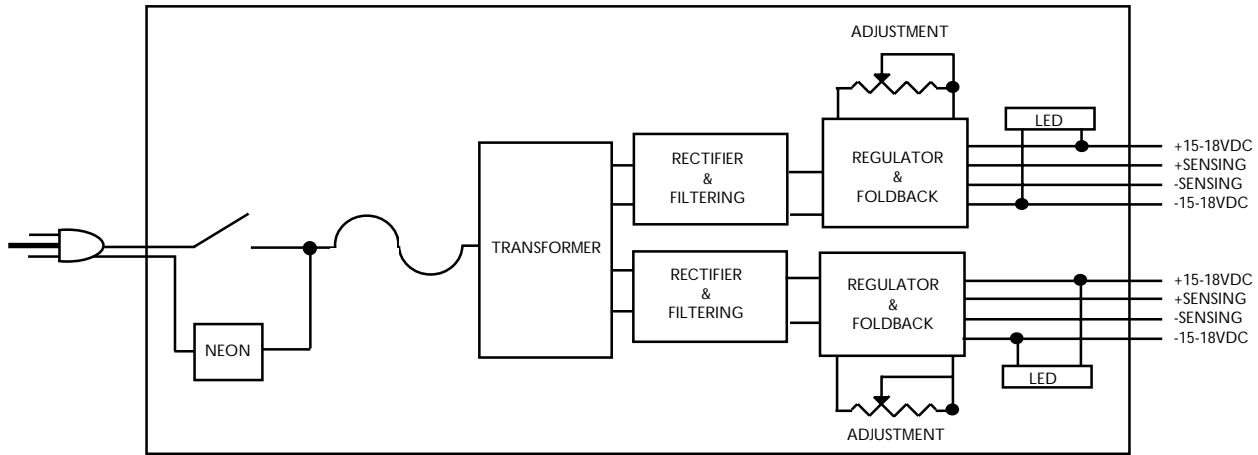
DUAL POWER SUPPLY

PROTECH®

Engineering Data

1/02

Block Diagram



Specifications

INPUT VOLTAGE RANGE.....	108-127 VAC
INPUT CURRENT.....	3.0 Amperes Maximum
OUTPUT VOLTAGE.....	15-18VDC @ 4.0 Amps Per Section
RECOMMENDED LOAD.....	15 Volts = 3.75 Ohms or Greater Per Section 18 Volts = 4.5 Ohms or Greater Per Section
RIPPLE VOLTAGE.....	Less Than 1mv @ Full Output
AC PROTECTION.....	Fuse, 3.0 Amp Slow-Blow
DC PROTECTION.....	Short Circuit Fold Back
SIZE.....	19" W x 3.5" H x 8.5" D
WEIGHT.....	10 Lb.
OPERATING TEMPERATURE.....	0-70 Degrees C.

*SPECIFICATIONS SUBJECT TO CHANGE WITHOUT NOTICE

Architect's & Engineer's Specifications

The Dual Power Supply shall be constructed as a 19 inch wide by 3.5 inch high unit designed to mount in a standard EIA rack. All connections to the unit, with the exception of the AC line cord, shall be made via screw type barrier terminals. The power transformer shall be of toroidal design, to minimize AC fields.

The On/Off switch shall incorporate a neon indicator to monitor AC power to the supply.

The power supply shall have two separate 15-18 volt outputs, which may be strapped together to form a bipolar 15-18 volt output.

Each output section shall have provision for individual output voltage adjustment, local or remote sensing capability of the output voltage, and short circuit foldback protection. In the event of a short circuit on an output, the unit shall foldback until the short is corrected, at which time the unit will automatically reapply the voltage to the output, without the need for manual resetting. LED indicators shall be mounted on the front panel for indication of proper output voltage, or shorted conditions on each output.

The power supply shall be PROTECH AUDIO CORPORATION Model 66708.

Accessories

Card Frame Package.....Model 857B
Includes Card Frame and Backplane Assembly. For use with external power supply Model 66708. Allows mounting of up to 10 audio cards.

INTEGRA III SYSTEM - Audio System used for constructing audio systems requiring mixing, switching, distribution, remote volume control, dynamic processing, and power amplification.

Protech Audio Corporation
PO Box 597, 192 Cedar River Road
Indian Lake, New York 12842
Voice 518-648-6410 Fax 518-648-6395
Web - www.protechaudio.com

AUTHORIZED DEALER