

AUDIO DISTRIBUTION AMPLIFIERS LINE LEVEL INPUT

FEATURES

- 2 to 5 Line Level Outputs, Line Input
- Individual Input & Output Adjustments.
- Transformer Isolated In & Out.
- Link Capability For More Outputs.



Model 2000-665 Shown

The INTEGRA III SYSTEM 2000-600 Audio Distribution Amplifier modules are designed for professional audio applications. These units are intended for high reliability, 24/7 applications.

There are four audio distribution amplifier modules. The only choices to be made are number of outputs (2 to 5 per module) required. The gain adjusting trimpots are mounted on the PC board assembly. This allows the cards to be aligned from the front of the card frame.

Model numbers with 2 to 4 outputs may be linked. The link feature allows the units to be connected together to provide additional outputs from one input section.

By offering different models, the system designer can choose a unit that will fit the application perfectly. This will result in a more cost effective design.

The 2000-600 series audio distribution amplifier cards are intended for use with the Model 2000 and 2000-C Automatic Mixing systems.

Also, the distribution amplifiers can be mixed and matched with other INTEGRA III SYSTEM cards, such as mixers, within the same card frame.

The input section is bridging (10k ohm) balanced, transformer-isolated. The gain of the input section is adjustable via a trimpot

Each output section is identical. It consists of an operational amplifier gain stage, followed by a high quality 600 ohm line transformer. The gain of the output stage is also adjustable via a trimpot. The combination of transformer and operational amplifier on every input and output creates maximum isolation between potential ground problems. The audio transformers also protect the input and outputs from spurious DC voltages which may be generated by corresponding equipment. The modular design allows easy changes or updates.

As one of the INTEGRA III SYSTEM cards, each of the distribution amplifiers may be mounted in any of the system enclosures manufactured by PROTECH AUDIO.

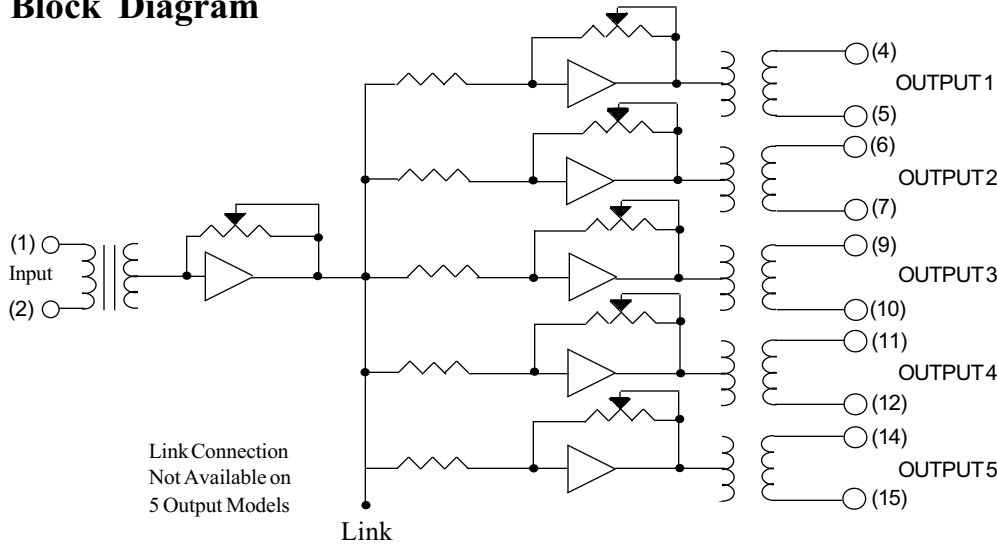
For additional information or applications assistance contact:

SALES ENGINEERING

AUDIO DISTRIBUTION AMPLIFIERS

PIN NUMBERS FOR 2000-CH and 2000-C-CH BACKPLANES.

Block Diagram



MODELS

LINE INPUTS -

Model 2000-662 (1 X 2)

Model 2000-663 (1 X 3)

Model 2000-664 (1 X 4)

Model 2000-665 (1 X 5)

Specifications

GAIN.....Line Input Adjustable From 0 To 20dB
Outputs Adjustable From Infinity To 20dB

MAXIMUM INPUT +20dB

MAXIMUM OUTPUT +20dBm

FREQUENCY RESPONSE..... 30Hz To 20KHz, +0, -1dB

DISTORTION..... 0.1% Maximum @ +14dBm Out

NOISE..... -85dB Below +0dBm Out

POWER REQUIREMENTS..... +15-18VDC @ 70ma

SIZE..... 2.5" x 8.0" x 1.1"

OPERATING TEMPERATURE..... 0 to 70 Degrees C

SPECIFICATIONS SUBJECT TO CHANGE WITHOUT NOTICE.

Architect's & Engineer's Specifications

The distribution amplifier shall be constructed as a plug-in printed circuit board module. It shall be designed to allow up to 6 modules to fit in a rack mount card frame, requiring no more than 3.5 inches of vertical rack space. The distribution amplifier shall be unpluggable from the front of the card frame, without the need to disconnect wires attached to the rear connector. Each distribution amplifier card shall contain one line level transformer isolated input. The input shall contain an operational amplifier gain stage, the gain of which shall be adjustable via a trimpot mounted on the PC board assembly.

The distribution amplifier shall contain (2 to 5) outputs. Each output shall contain a separate op-amp gain stage and a 600 ohm output transformer. The gain of each output stage shall be individually adjustable. Each output shall be capable of driving a 600 ohm load to +20dBm. The adjustment of any output level shall not effect the output level of any other output. The link function shall allow units to be connected together to create additional outputs from a single input. The distribution amplifier shall be PROTECH AUDIO Corporation Model 2000-662, 2000-663, 2000-664, 2000-665

Accessories

CARD FRAME PACKAGE.....MODEL 858B
Includes Card Frame, Backplane, and Power Supply Card.
Allows mounting of up to 9 audio cards.

CARD FRAME PACKAGE.....MODEL 857B
Includes Card Frame, and Backplane Assembly. For use with external power supply Model 66708. Allows mounting of up to 10 audio modules.

Protech Audio Corporation

1 Flowerfield, Suite 24
St. James, New York 11780
Phone: 631-584-5855 FAX: 631-584-5904
Web - protechaudio.com

AUTHORIZED DEALER